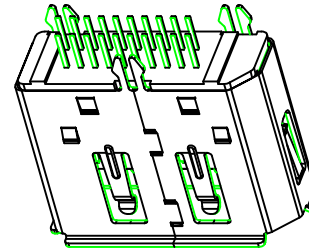
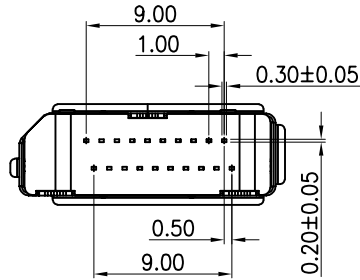


REV.	ECN NO.	MODIFY MATTER	DATE	APPROVED
A		RELEASE TO PRODUCTION		



NOTE:

A. MATERIAL:

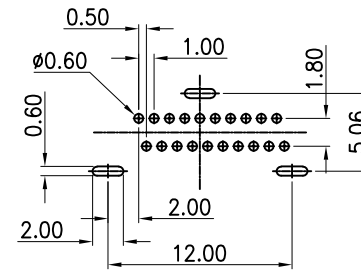
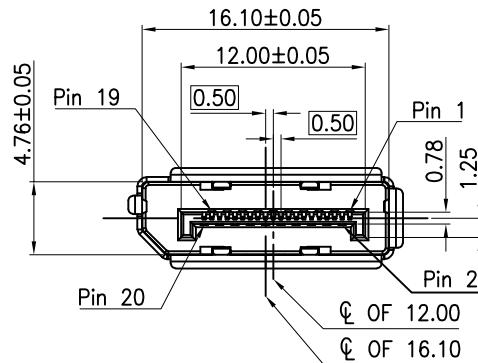
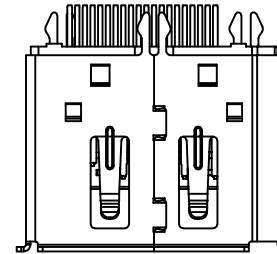
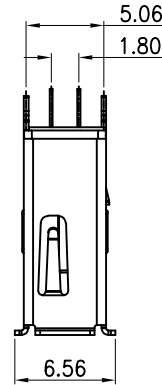
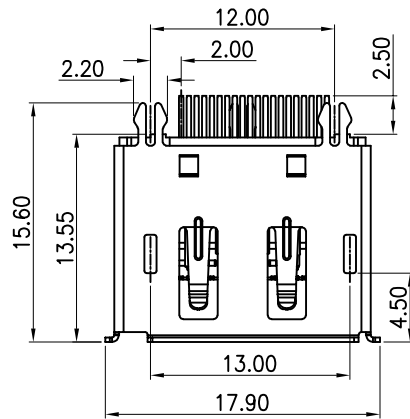
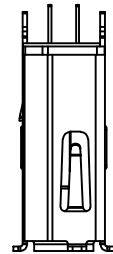
1. Housing: LCP UL94V-0 Black
2. Contact: Copper Alloy
3. Shell: See PartNo.

B. PLATING:

1. Contact: Contact Area Gold Plated  
Solder Area Sn Plated  
Under Plated Nickel
2. Shell: Nickel Plated

C. SPECIFICATION:

1. Current: 0.5A
2. Voltage: 40V RMS
3. Withstanding Voltage: 500V AC
4. Contact Resistance:  $\Delta R=30\text{ m}\Omega$  max. (Contact)  
 $\Delta R=50\text{ m}\Omega$  max. (Shell)
5. Insulation Resistance: 100 M $\Omega$  min.
6. Temperature Range: -20°C to +85°C
7. Mating And unmating Force:
  - 7.1 Mating Force: 4.5Kgf(44.1N)Max.
  - 7.2 Unmating Force: 1.0Kgf~4.0Kgf(9.8N~39.2N)
8. Durability: 10000 Cycles



P.C.B LAYOUT  
BOTTOM VIEW

DisplayPort Connector Pin Assignment			
Pin Number	Signal Type	Pin Name	Mating Row Contact Location
1	Dut	ML_Lane0(p)	Top
2	GND	GND	Bottom
3	Dut	ML_Lane0(n)	Top
4	Dut	ML_Lane1(p)	Bottom
5	GND	GND	Top
6	Dut	ML_Lane1(n)	Bottom
7	Dut	ML_Lane2(p)	Top
8	GND	GND	Bottom
9	Dut	ML_Lane2(n)	Top
10	Dut	ML_Lane3(p)	Bottom
11	GND	GND	Top
12	Dut	ML_Lane3(n)	Bottom
13	CONF IG	CONF IG1	Top
14	CONF IG	CONF IG2	Bottom
15	I/O	AUX CH(p)	Top
16	GND	GND	Bottom
17	I/O	AUX CH(n)	Top
18	In	Hot Plug Detect	Bottom
19	RTN	Return	Top
20	PWR Dut	DP_PWR	Bottom

TOLERANCES UNLESS OTHERWISE SPECIFIED:  
 X. ---  
 X.X ± 0.38  
 X.XX ± 0.25  
 X.XXX ± 0.10  
 Angle ±1°

COSTOMER COPY  
 DRAWN: CHENLEI  
 CHECKED: CHENLEI  
 APPROVED: QINKAIXING

深圳市东方御业科技有限公司  
 WWW.DFYCONN.COM TEL:0755-27155560

DATE: 2017/09/10  
 DATE: 2017/09/10  
 DATE: 2017/09/10

TITLE: DP 180度H13.55 DIP 母座三只鱼叉脚  
 PART NO: EAST-DP1355A0007  
 UNIT: mm  
 SCALE: N/A  
 SHEEL: 1:1  
 REV: (RoHS)

THESE DRAWING AND SPECIFICATION ARE THE PROPERTY OF Shenzhen Dongfangyue ELECTRONIC CO., LTD.. SHALL NOT BE REPRODUCED.